

8. Trouble Shooting

The following are common faults and corresponding treatment methods for the fixture. All the faults which can not be fixed by your own self should be handled by a professionals. The power must to be off when maintenance.

Description	Analysis	Treatment
Not working after power on	Check if the power switch is on or off.	Switch on
	Check if the fuse is blown.	Replace
	Check the output terminal of power switch.	Check voltage
	Check if the internal wiring is in poor connection.	Reconnect
Fixture is out of control.	Check if the DMX cable is connected correctly. (If without signal input, green indicator light is off.)	Reconnect or replace
	Check if the address code is correct. Check if DMX mode is corresponding with mixer settings.	Reconfirm
	Display board damaged	Replace
Bulb not working	The bulb is aging or damaged.	Replace
	Power board in fault	Check/replace
	Wiring loose or poor connection	Reconnect
	Trigger in fault	Replace
	Ballast in fault	Replace
Bulb off automatically	The bulb is aging.	Replace
	Fan is damaged or speed is low.	Replace
	Check wirings between fan and power board	Check/replace
	The temperature control is damaged	Replace
Gobo wheel dislocated or unnormal control	Motor wiring in poor connection	Reconnect
	Motor drive board in fault	Retighten
	Magnet is damaged or dislocation with the located magnet.	Adjust/Replace
	Motor in fault	Replace
Weak light efficiency, uneven light spot	The bulb is aging.	Replace
	Bulb out of center	Adjust
	Dust or smudge on optical lens	Clean
	The optical lens is broken	Replace
Color is not pure	Weak light efficiency	Replace
	Dust or smudge on color film	Clean
	Mold release or damaged on color film	Replace
Dim gobo	Dust or smudge on optical lens	Clean
	Optical lens damaged	Replace
Note! The analysis above is only for reference. Non professionals please do not repair.		

80W BEAM MOVING HEAD

MJ-1080



User Manual

=====PROFESSIONAL LED LIGHTING=====

Thank you for choosing our LED moving head light. For the sake of your safety, Please read and follow these instructions carefully and keep this manual in a safe place for future reference.

7. Technical Data

- Input power: AC100V-240V;50/60Hz
- Rated power: 150W at 220V
- Bulb: high brightness 80W white LED
- Color wheel: 13 colors
- Gobo wheel: 11 gobos effect
- Effect wheel: 1 a rotating 8 facet prism, effect movable, fog effect
- Effect wheel: 2 a rotating 16 facet prism, effect movable, fog effect
- Fog filter effect: one frost mirror
- Multi-color mirror: one mirror
- 0—100% smooth dimming.
- Lens group optical system, electric focus, beam angle 3°
- Photoelectric reset system, X/Y axis accurate positioning
- Control channel: 16/20 CH
- Control mode: DMX512, Auto, Sound and master-slave
- Pan 540° movement and 8Bit/16Bit
- Tilt 270° movement and 8Bit/16Bit
- IP rating: Ip20
- Working temperature: -20°C ~ 40°C
- N.W.: 12KG
- G.W.: 14KG
- Packing dimensions: 380(D)*370 (W)*490(H)mm

Catalogue

9	Prism 1	000-127 128-255	Prism 1 set out Prism 1 set in
10	Prism 1 Rot.	000-127 128-190 191-192 193-255	Prism 1 angle adjustment Rotate counterclockwise from fast to slow Stop Rotate clockwise from slow to fast
11	Prism 2	000-127 128-255	Prism 2 set out Prism 2 set in
12	Prism 2 Rot.	000-127 128-190 191-192 193-255	Prism 2 angle adjustment Rotate counterclockwise from fast to slow Stop Rotate clockwise from slow to fast
13	Focus	000-255	Linear focusing
14	Colourful color wheel	000-127 128-255	Colourful color wheel set out Colourful color wheel set in
15	Frost	000-127 128-255	Frost set out Frost set in
16	Reset	000-049 050-099 100-199 200-255	No function Small motor reset Big motor(Pan/Tilt) reset All motor reset
Expand Channel	17	Pan/Tilt speed	000-255 The speed from fast to slow
	18	Color wheel speed	
	19	Dimmer/Prism/Frost speed	
	20	Gobo wheel speed	

6. Special Instruction

- When repositioning, long press “OK” button for 5 secs to stop.
- When power on, long press “ENTER” button to stop repositioning and enter testing mode.
- DMX address to be set as 512 ,back to main interface,long press“OK” button for 10 secs to set logo displayed or hidden.
- Signal indicator:
 - ERR red indicator flash means in fault.Enter “system info”-“system fault” to check information.
 - DMX green indicator on:DMX signal received. Off: no DMX signal.
 - Green indicator on motor drive board: if flashing fastly in each 1 sec, it means that serial signal from display is received. If flashing slowly in each 2 secs, it means no serial signal.The flashing light means system is running. If the indicator light is on

- Introduction 1
- 1. Safety Tips 1
- 2. Signal Connection..... 2
- 3. Product Infomation 3
- 4. Control Panel 4
 - 4.1 Button Instruction 4
 - 4.2 Interface Instruction 4
- 5 . Channels Instruction 9
- 6 . Special Instruction 11
- 7 . Technical Data 12
- 8 . Trouble Shooting 13

Caution:

The product performance and packing are in good condition when delivered. This manual is including of all important information about installation and using. Please follow the rules strictly. All problems resulted from improper operation or ignoring this instruction manual are out of warranty. Subject to technical changes without prior notice.

Introduction

Thank you for using our product. For your safety, please read this manual carefully before using. This manual is including of all important information for using, please keep it properly.

1. Safety Tips

To ensure that you can use the fixture safely, please read the following safety tips carefully before using, avoiding unnecessary failures and injuries.

1. Non professionals please do not disassemble the fixture and internal parts.
2. Please do not eyes on the light source. There is a risk to damage your retina.
3. AC power: confirm if your local power is corresponding to its rated voltage.
4. The fixture is designed according to electric shock protection. It should be connected to grounded power system, and ground wire of fixture must to be connected with ground wire of power system. Do not use cable with damaged insulation. When installation, the fixture should be 10m far away from the flammables and explosives. Do not install the fixture on any flammable materials.
5. Keep the fixture far away from liquid and wet.
6. Confirm it grounding in good condition before power on. Do not install it or disassemble it when power on.
7. When installation, the screws should be tighten and with safety rope and regular check.
8. It is suggested that the continuous working hours of should not exceed 10 hours. The interval between consecutively turning on the lamps should be no less than 10 minutes, otherwise it will not be triggered normally due to the overheat protection.
9. Stop using when the fixture is running abnormally.
10. The bulb should be replaced when its rated lifespan is over, otherwise there is a risk of explosive bulb.
11. The rotating parts and paste parts should be checked regularly. Tighten once loose or swaying.
12. As forced cooling is easy to accumulate dust, clean it once each month to keep it good cooling performance.

		035 - 039 040 - 044 045 - 049 050 - 054 055 - 059 060 - 064 065 - 069 070 - 074 075 - 079 080 - 084 085 - 089 090 - 094 095 - 099 100 - 104 105 - 109 110 - 114 115 - 119 120 - 124 125 - 129 130 - 134 135 - 139 140 - 200 201 - 255	Color 3+ Color 4 Color 4 Color 4+ Color 5 Color 5 Color 5+ Color 6 Color 6 Color 6+ Color 7 Color 7 Color 7+ Color 8 Color 8 Color 8+ Color 9 Color 9 Color 9+ Color 10 Color 10 Color 10+ Color 11 Color 11 Color 11+ Color 12 Color 12 Color 12+ Color 13 Color 13 Color 13+White Rotate clockwise from fast to slow Rotate counterclockwise from slow to fast
8	Gobo	000 - 004 005 - 009 010 - 014 015 - 019 020 - 024 025 - 029 030 - 034 035 - 039 040 - 044 045 - 049 050 - 054 055 - 059 060 - 064 065 - 069 070 - 074 075 - 079 080 - 084 085 - 089 090 - 094 095 - 099 100 - 104 105 - 109 110 - 114 115 - 119 120 - 189 190 - 255	Gobo 1 Gobo 2 Gobo 3 Gobo 4 Gobo 5 Gobo 6 Gobo 7 Gobo 8 Gobo 9 Gobo 10 Gobo 11 Gobo 12 Gobo 1 shake (From slow to fast) Gobo 2 shake (From slow to fast) Gobo 3 shake (From slow to fast) Gobo 4 shake (From slow to fast) Gobo 5 shake (From slow to fast) Gobo 6 shake (From slow to fast) Gobo 7 shake (From slow to fast) Gobo 8 shake (From slow to fast) Gobo 9 shake (From slow to fast) Gobo 10 shake (From slow to fast) Gobo 11 shake (From slow to fast) Gobo 12 shake (From slow to fast) Rotate clockwise from fast to slow Rotate counterclockwise from slow to fast

5. Channels Instruction

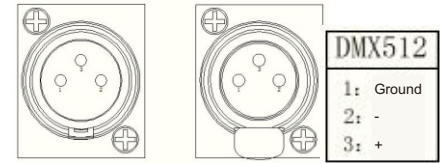
Simple CH	Channel model	
	16	20
1	Pan	Pan
2	Pan fine	Pan fine
3	Tilt	Tilt
4	Tilt fine	Tilt fine
5	Dimmer	Dimmer
6	Strobe	Strobe
7	Color Wheel	Color Wheel
8	Gobo Wheel	Gobo Wheel
9	Prism 1	Prism 1
10	Prism 1 Rotation	Prism 1 Rotation
11	Prism 2	Prism 2
12	Prism 2 Rotation	Prism 2 Rotation
13	Focus	Focus
14	Colourful color wheel	Colourful color wheel
15	Frost	Frost
16	Reset	Reset
17		Pan / Tilt speed
18		Color wheel speed
19		Dimmer/Prism/Frost speed
20		Gobo wheel speed

Channel description(Full version)

Channel	Function	Value	Effect
1	Pan	000-255	Pan 540 degree movement
2	Pan Fine	000-255	Pan 1.2 degree fine
3	Tilt	000-255	Tilt 270 degree movement
4	Tilt Fine	000-255	Tilt 1.2 degree fine
5	Dimmmer	000-255	Dimmer from dark to bright
6	Strobe	000-003	Off
		004-251	Strobe from slow to fast
		252-255	Open
7	Color	000-004	White
		005 -009	White+Color1
		010 - 014	Color1
		015 - 019	Color1+ Color2
		020 - 024	Color 2
		025 - 029	Color 2+ Color 3
		030 - 034	Color 3

2. Signal Connection

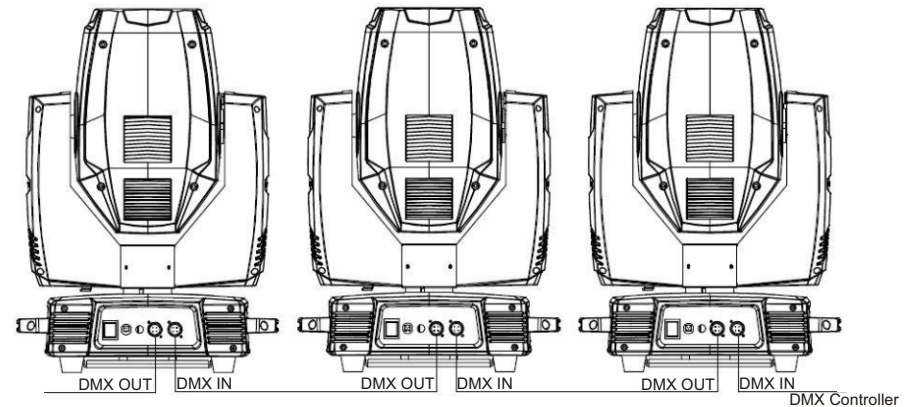
The fixture uses standard DMX 3-pin and 5-pin XLR for in/out. Please use DMX 512 twisted-pair cable. Connecting distance should be within 150 meters.



Amplifier is necessary when long distance.

Connect the DMX cable from the DMX output terminal of the mixer to the input terminal of the first fixture. Then connect the DMX cable from the DMX output terminal of the first fixture to the input terminal of the second one, by parity of reasoning until all fixtures are connected. Then install a connector at the output 3-pin terminal of the last fixture. (Weld a 4/1W, 120Ω resistance between the second and the third pin of the 3-pin XLR connector)

Connect as below picture:

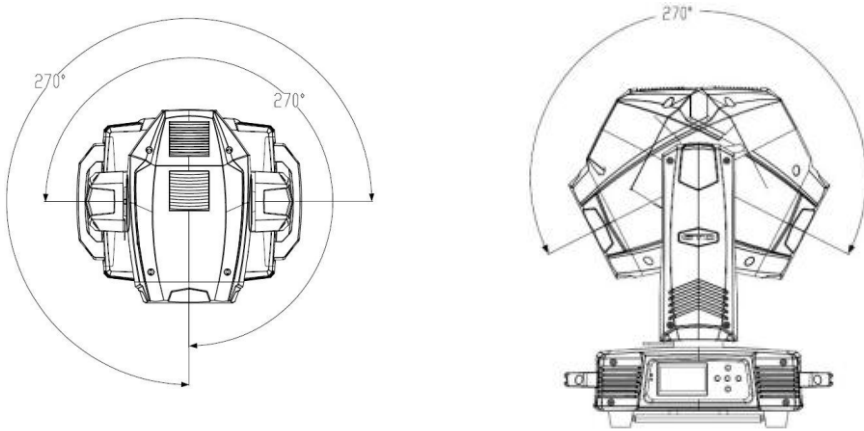


Calculation of initial address code:

Initial address code is: (the last initial address code)+(channels amount)

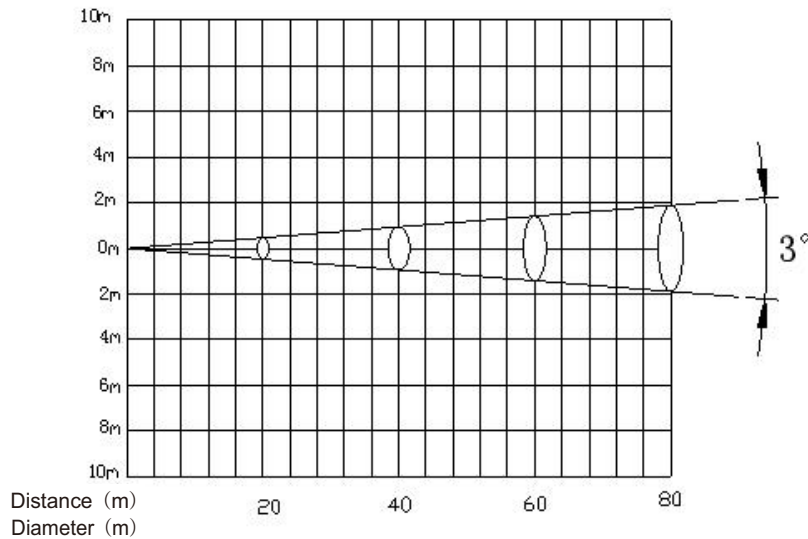
- 1.The first initial address code A001.
- 2.The basic channels of mixer should be \geq the channels amount of fixtures
- 3.Note:When using any mixers, there is a initial address code for each fixture. For example, initial address code A001 and 16 channels for the first fixture, initial address code A017 for the second fixture, and initial address code A033 for the third one, by parity of reasoning.(Different settings should be according to different mixers.)

3. Product Introduction



Optical Data:

Illuminance(Lux)				
------------------	--	--	--	--

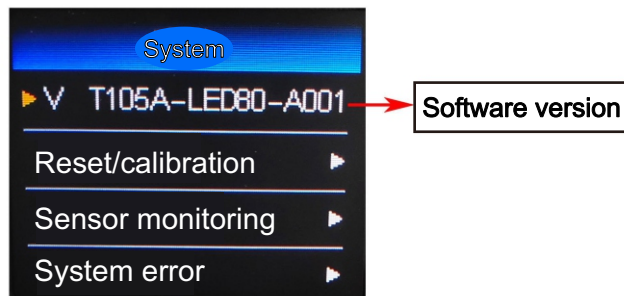


	Prism 2 accuracy	
	Frost accuracy	
Sensor monitoring	X axis hall	Magnetic detected :0, otherwise: 1
	Y axis hall	Magnetic detected :0, otherwise: 1
	Color wheel hall	Magnetic detected :0, otherwise: 1
	Gobo wheel hall	Magnetic detected :0, otherwise: 1
	Focus hall	Magnetic detected :0, otherwise: 1
	Prism 1 hall	Magnetic detected :0, otherwise: 1
	Prism 2 hall	Magnetic detected :0, otherwise: 1
	X axis encoding status	Double digits.Each digit is corresponding to a optoelectronic switch
	Y axis encoding status	Double digits.Each digit is corresponding to a optoelectronic switch
	X axis encoding value	Forwarding, data is increasing. Revering, data is decreasing. At each point, data is always normal.
Y axis encoding value	Forwarding, data is increasing. Revering, data is decreasing. At each point, data is always normal.	
System error	Common errors as shown in following	If ERR indicator light is on -- running error. Enter and check the slave interface. Then press "clear"button to clear the error records.
	DMX detection	Enter slave interface, and check the channels

Errors	Explain
MT board connection failure	Drive board no respond. Problems of drive board, or serial wiring between display and drive board.
X axis repositioning failure	Problems of X axis optoelectronic switch or X axis motor
Y axis repositioning failure	Problems of Y axis optoelectronic switch or Y axis motor
X axis Hall error	Problems of X axis Hall
Y axis Hall error	Problems of Y axis Hall
Color wheel repositioning failure	Problems of motor or Hall of color wheel
Gobo wheel repositioning failure	Problems of motor or Hall of gobo wheel
Focus repositioning failure	Problems of motor or Hall of focus

X reverse	OFF	The start and terminal are exchanged when it is ON. Default OFF.
	ON	
Y reverse	OFF	The start and terminal are exchanged when it is ON. Default OFF.
	ON	
XY exchange	OFF	Exchange channels of XY axis(Fine adjustment)
	ON	
XY encoder	ON	Using encoder to judge position lost and self-correcting
	OFF	Not using encoder to self-correct position.
DMX signal	Maintain	Continue running as initial
	Clear	Motor reset, stop running
Color wheel linear vary	ON	Color wheel linear vary
	OFF	Color wheel non linear vary, but half -color
Default		Press OK, and press OK again.

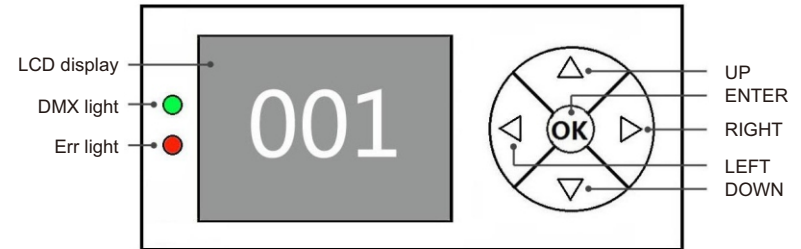
System Information



Options	Explain	
Software version		Software version
Reset calibration	X axis calibration	Enter slave interface, to adjust motors' position, making up for hardware errors. Adjust range: -128 ~ +127. +0: no adjust.
	Yaxis calibration	
	Color calibration	
	Gobo calibration	
	Foxus calibration	
	Prism 1 calibration	

4. Control Panel

4.1 Buttons Instruction



RIGHT and LEFT buttons are same function, it is return to main manual

UP and DOWN buttons is choose and editing function

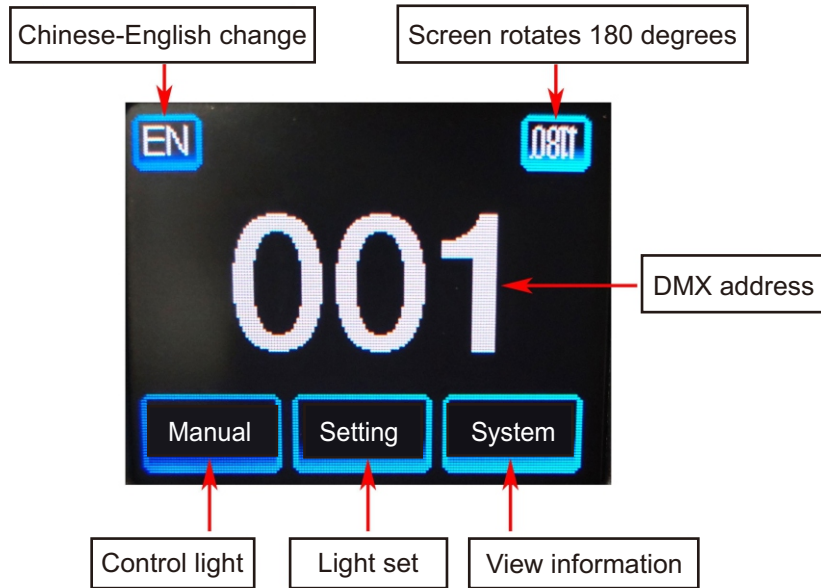
ENTER is OK buttons, it is confirm and return.

Explain how to control the panel(Example as modify DMX address code):

1. If not at the main interface, press "left"(Once or more times)to return.
2. At main interface, press "up"or"down"to choose setting function.
3. Press "OK"to enter.
4. At "setting" interface, press"up"or"down"to choose DMX address.
5. Press OK to enter and edit.
6. Press up or down to modify the DMX address.
7. Press OK to confirm and return.

4.2 Menu Instruction

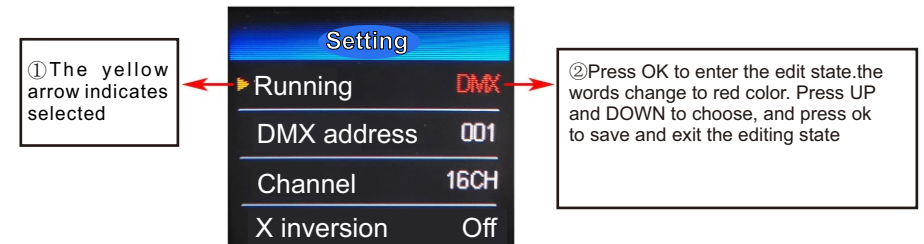
Main Menu



This interface is to control current fixture, meanwhile enter master status (Not receiving DMX signal, but sending to slave fixtures.)
16CH or 20CH will be shown clearly according to the settings.

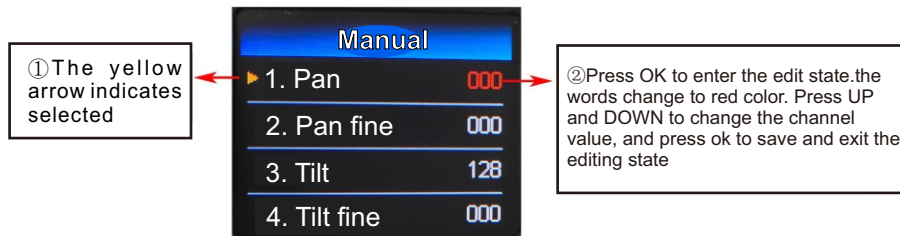
Options	Explain	
1CH.X	0~255	Use yellow arrow to select, press OK to enter and edit. Now the letter is red, press UP or DOWN to change channels number, then press OK to confirm.
.....	0~255	
15CH.Frost	0~255	Press OK, and then press OK again. All motors reset.
16CH.Reset		
17CH.XY speed	0~255	Shown when channels mode as "expend CH20"
18CH. Color wheel speed	0~255	Shown when channels mode as "expend CH20"
19CH.Dimmer/frost/Prism speed	0~255	Shown when channels mode as "expend CH20"
20CH. Gobo wheel speed	0~255	Shown when channels mode as "expend CH20"

Setting



Sub-menu

Manual control



Options	Explain	
Running	DMX	Slave fixture: receive signal from mixer or master
	Auto 1	Self running procedures
	Auto 2	
	Freedom	
	Sound control	Master fixture: self running and send DMX signal to slave fixtures.
DMX address	1~512	Press OK to enter and edit. Press UP or DOWN to vary address code. Press OK to confirm.
Channels mode	Standard 16CH	Standard 16CH 17-20CH invalid
	Extension 20CH	Extension 20CH. 17-20CH to control speed.(Channel list)